



Catalog Number:

QSH 4 54

Type:

QSH
T5HO



Quick Ship Fluorescent High Bay

Specifications

Reflectors - Precision formed, high performance, 95% total reflectance, segmented optics utilizing Alanod MIRO® 4 specular aluminum warranted for 25 years. Reflector optics are available in a wide variety of photometric distributions and spacing criteria, to increase efficiency or provide desired cutoff for comfort or lighting effect.

- Optional upright. Suffix letter "U" to reflector selection.
- Vent slots for thermal control are standard

Construction - Channel, ends and socket brackets are manufactured from 22-gauge cold rolled steel. Riveted and screwed assembly. Tool-less ballast and wiring access.

Lamp Shielding - Optional Formed wireguard can be installed externally (add "WG" to the end of the fixture nomenclature).

Finish - Standard high gloss white baked enamel, pretreated with a 5-stage iron phosphate system.

Ballasts - All standard ballasts are electronic, energy saving, thermally protected, Class-P, HPF, non-PCB, Sound Rated A, UL/CSA certified where applicable and comply with Ⓒ Federal Ballast Law (Public Law 100-357, 1988). Default ballast configuration is for one 4-lamp programmed rapid start ballasts.

Electrical - UL listed wire, rated for required temperatures, used throughout. Lamps are secured with rotary locking lamp sockets for ease of relamping and to reduce lamps disconnecting due to vibration or incidental contact. Luminaire is bi-national listed (UL 1598 and CSA C22.2 No. 250.0-00) and is suitable for damp locations.

Mounting - Optional 10ft adjustable aircraft cable can be ordered (add "MHY" to the end of the fixture nomenclature).

Lamps - FP54/T5HO/TL841 lamps are factory installed.

Warranty - Standard 1-year warranty for the fixture. Ballasts carry manufacturer warranties of 3-5 years, depending on the application.

Custom Requirements - Consult with your Speclight Agent to develop custom solutions for any application. Any customization will not be considered Quick Ship. Standard lead-times and nomenclature will apply.

Fixture Series	
QSH	Quick Ship 16" High Bay
Lamp Configuration	
4	4-lamp profile
Lamp Type/Wattage	
54	F54T5HO
Photometric Distribution	
F	Focus Beam
T	Task Beam
N	Normal Beam
S	Spread Beam
B	Broad Beam
Uplight Option	
(blank)	Vent Slots
U	Uplight Slots
Cord Set Option	
(blank)	Not included
CXL10	Cord No Plug
Mounting Option	
(blank)	Not included
MHY	10' Aircraft Cable
Shielding Option	
(blank)	Not included
WG	Wireguard, 11 gauge, PAF



Applications

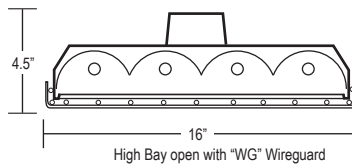
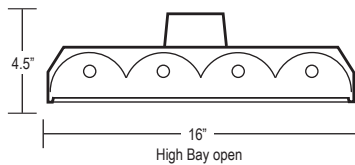
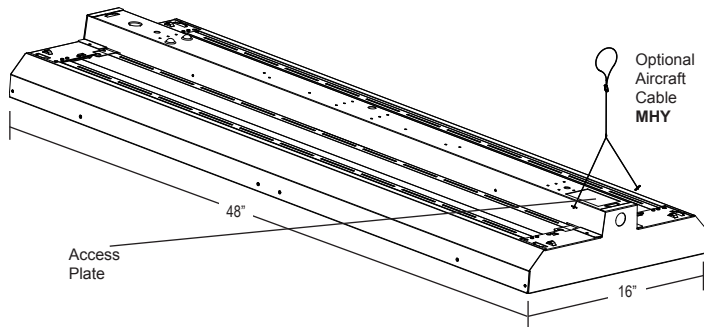
SpecLight's QSH series luminaire is the perfect replacement for HID high bay luminaires. It is typically located in retail, warehouse, industrial, commercial and manufacturing areas. The luminaire is designed for large area lighting applications (5,000 - 1,000,000+ sq. ft.) and may be mounted at heights of 15' to 40'.

Features

High fixture efficiency and optical control deliver the peak candlepower needed to produce desired illumination levels from high mounting heights.

- Instant on/off, instant re-strike
- Better uniformity
- Easier to use with occupancy sensors and controls
- 85 CRI (fluorescent) v. 65 CRI (standard metal halide)
- 92%+ Lumen Maintenance (fluorescent) v. 63% Lumen Maintenance (metal halide)
- Long lamp life - up to 36,000 hours
- Up to 98 maintained Lumens per watt
- Energy savings up to 60%

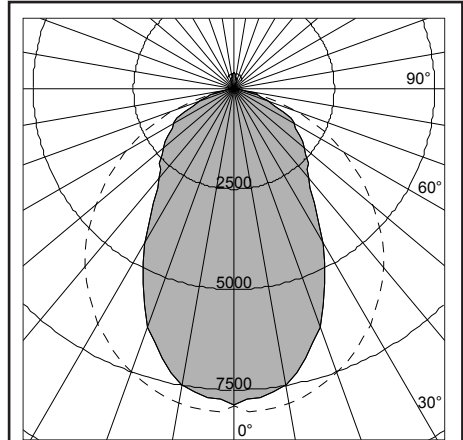
Dimensions



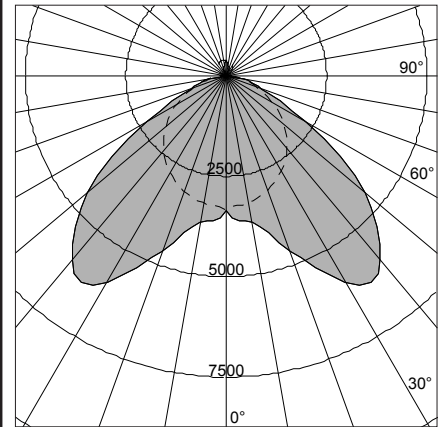
Photometrics

SC Across Definitions:

- Focus ($SC < 0.9$), i.e. F
- Task ($0.9 \leq SC < 1.2$), i.e. T
- Normal ($1.2 \leq SC \leq 1.4$), i.e. N
- Spread ($1.4 < SC \leq 1.8$), i.e. S
- Broad ($1.8 < SC$), i.e. B



QSH 4 54T5HO T
Test #ALP200453_Q
Fixture Efficiency: 92.2%
SC Across: 0.9, SC Along: 1.3



QSH 4 54T5HO B
Test #ALP200467_Q
Fixture Efficiency: 91.8%
SC Across: 2.1, SC Along: 1.2

Additional Options (installed on fixture)

- 10ft 18/3 white SJTOW cord, no plug

CXL10

Accessories (order separately)

- Aircraft Cable, 2-toggle, 18" legs, 10' (2 hangers/kit)

MHY

