



Catalog Number:

Type:

FPG
T8, T5HO



Parking Garage Luminaire

Specifications

Reflectors - Precision formed 95% total reflectance, segmented optics utilizing Alanod MIRO®4 specular aluminum reflectors warranted for 25 years.

Construction - Backplate manufactured from 20 gauge cold rolled steel. Riveted and screwed assembly for rigidity.

- Optional all aluminum construction, specify AL.
- Optional heavy gauge steel backplate. Specify 18GA.

Finish - Premium polyester powder coat finish is standard, utilizing a 7-stage pretreatment process of iron phosphate, a non-chromium sealer and a de-ionized water rinse to provide superior adhesion and corrosion resistance.

Ballasts - All standard ballasts are electronic, energy saving, thermally protected, Class-P, HPF, non-PCB, Sound Rated A, UL/CSA certified where applicable and comply with 4 Federal Ballast Law (Public Law 100-357, 1988). Default ballast configuration is for two-lamp ballast.

Electrical - UL listed wire, rated for required temperatures, used throughout. Lamps are secured with rotary locking lamp sockets for ease of relamping and to reduce lamps disconnecting due to vibration or incidental contact. Luminaire is bi-national listed (UL 1598 and CSA C22.2 No. 250.0-00).

Mounting - The luminaire is designed for surface, pendant or chain mount.

- Surface conduit entry lens knockouts and rubber gasket is standard.

Lamps - Factory installed lamps are available in various CRI ratings, temperature colors and rated life..

Warranty - Standard 1-year warranty for the fixture. Ballasts carry manufacturer warranties of 3-5 years, depending on the application.

Fixture Series	
FPG4	4'
Lamp Profile/Type	
1 54T5HO	F54T5HO
2 54T5HO	F54T5HO
2 32	F32T8
Reflector/Material	
N1X20	Normal Beam, MIRO® 4, 0.020"
B1X20	Broad Beam, MIRO® 4, 0.020"
A1X20	Asymmetric Beam, MIRO® 4, 0.020"
Voltage	
MVOLT	120-277V, 60 Hz
347	347V, 60 Hz
Ballast Type	
GEB10PS	1.0 BF, ≤10% THD, PRS(T5HO)
GEB10IS*	Normal BF, ≤10% THD, IS (T8)
GEB10ISH*	High BF, ≤10% THD, IS (T8)
Lamps	
(blank)	No Lamps
LP841	std life, 4100°K, 85 CRI
LP841A	Amalgam, 4100°K, 82 CRI
Options	
AL	Aluminum Construction
18GA	18-gauge housing

* Available only with T8 lamp profile



2011 W. Rundberg Lane • Austin, TX 78758 • 800.237.2809 • FAX 512.651.1638
www.speclightsolutions.com • info@speclightsolutions.com

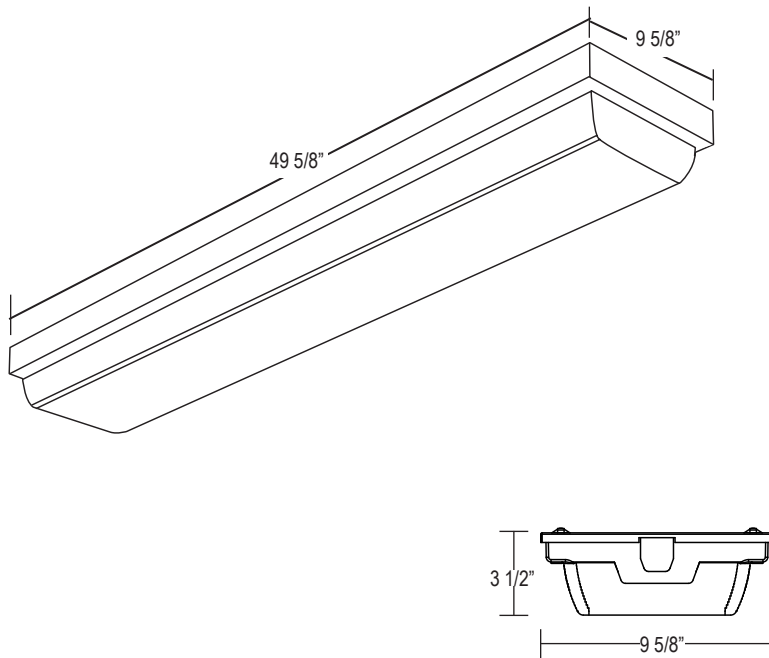
Applications

SpecLights FPG series parking garage luminaire combines high efficiency with internal specular reflectors for improved lighting over HID systems. The refractive lens directs light away from the driving lane. The simple low-profile design integrates well into the low-ceiling environments found in parking structures.

Features

Low-profile rugged polycarbonate full-cover lens housing with post-painted steel back plate for a high level of security and durability. Luminaire designs are engineered for heat management and tested in an in-house thermal chamber for environments up to 40°C ambient temperature. Matching fixtures are available with normal optics for increasing lighting levels at entrances, elevator lobbies, pedestrian waiting areas and stairwells.

Dimensions



Additional Options (installed on fixture)

- Fusing

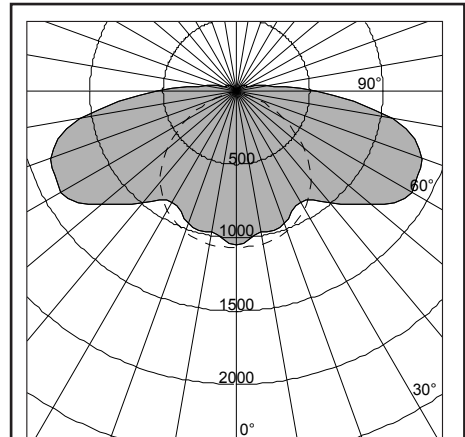
Accessories (order separately)

- Chain Hanger, 36" HSD36
- Integral Battery Pack not available, externally mounted only (by others).

Photometrics

SC Across Definitions:

Broad (1.8 < SC), i.e. B1X12



FPG4 2 54T5HO B1X20
Test #ALP200251_S
Fixture Efficiency: 61.8%

