



Catalog Number:

Type:

FSW
T5HO, T8



Enclosed and Gasketed Industrial

Specifications

Reflectors - Precision formed, high performance, 95% total reflectance, segmented optics utilizing Alanod MIRO® 4 specular aluminum warranted for 25 years.

Construction - Housing is gasketed fiberglass enclosure that is dust and moisture resistant. Standard shatter-resistant Polycarbonate Lens is held in place by latches that secure a continuous seal. Internal channel, ends and socket brackets are manufactured from 22-gauge cold rolled steel. Riveted and screwed assembly. Tool-less ballast and wiring access.

Finish - Standard finish for metal parts are high gloss white baked enamel, pretreated with a 5-stage iron phosphate system.

Ballasts - All standard ballasts are electronic, energy saving, thermally protected, Class-P, HPF, non-PCB, Sound Rated A, UL/CSA certified where applicable and comply with Federal Ballast Law (Public Law 100-357, 1988). Default ballast configuration is for two-lamp ballasts except for 1-lamp fixtures.

Electrical - UL listed wire, rated for required temperatures, used throughout. Lamps are secured with rotary locking lamp sockets for ease of relamping and to reduce lamps disconnecting due to vibration or incidental contact. Luminaire is bi-national listed (UL 1598 and CSA C22.2 No. 250.0-00) and is suitable for wet locations.

Mounting - The luminaire may be surface mounted or may be suspended by chain or cable.
• Accessories are available.

Lamps - Factory installed lamps are available in various CRI ratings, temperature colors and rated life..

Warranty - Standard 1-year warranty for the fixture. Ballasts carry manufacturer warranties of 3-5 years, depending on the application.

Fixture Series	
FSW4	4'
Lamp Profile/Type	
1 54T5HO	1 F54T5HO
2 54T5HO	2 F54T5HO
2 32	2 F32T8
Reflector/Material	
N1X20	Normal Beam, MIRO®4,.020
B1X20	Broad Beam, MIRO®4,.020
A1X20	Asymmetric, MIRO®4,.020
Lamp Shielding	
AR	High Impact Acrylic
Voltage	
MVOLT	120 - 277V, 60 Hz
347	347V, 60 Hz
Ballast Type	
GEB10PS	1.0 BF, ≤10% THD, PRS(T5HO)
GEB10IS*	Normal BF, ≤10% THD, IS (T8)
GEB10ISH*	High BF, ≤10% THD, IS (T8)
Lamps	
(blank)	No Lamps
LP841	Std life, 4100°K, 85 CRI
LP841A	Amalgam, 4100°K, 82 CRI
Options	
STSL	Stainless steel latches

* T8 Only



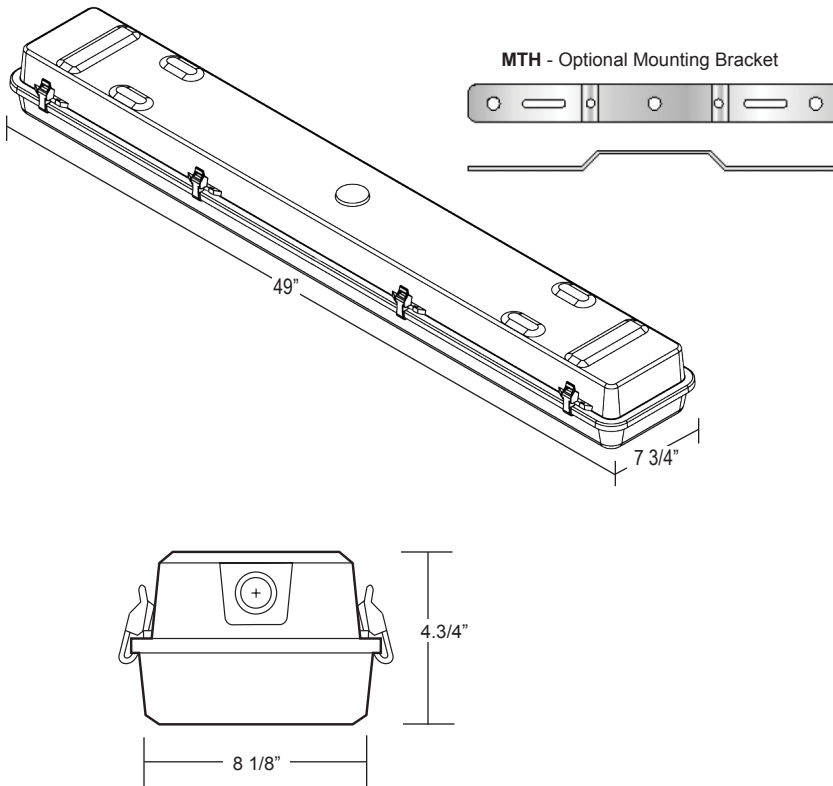
Applications

SpecLights FSW series parking garage luminaire provides uniformity illuminated space while creating comfort by directing light away from the driving lane. The non-metallic housing design incorporates added durability and corrosion resistance.

Features

Fully gasketed housings with nylon latches is IP65 rated and wet location UL listed, optional stainless steel latches are available. Standard clear lens is high-impact acrylic material. Luminaire design are engineered for heat management and tested in an in-house thermal chamber for environments up to 40°C ambient temperature. Fixtures are available with normal beam optics for increasing lighting levels at entrances, elevator lobbies pedestrian waiting areas and stairwells.

Dimensions



Additional Options (installed on fixture)

- Battery pack
- Cord Sets
- Fusing

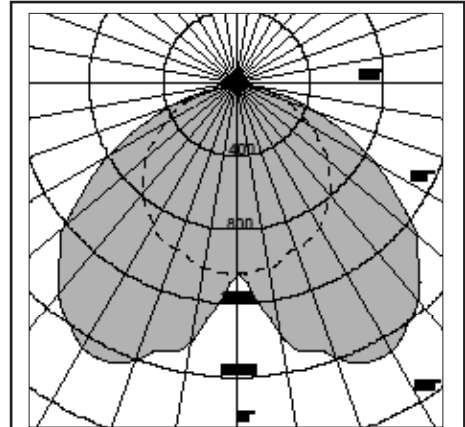
Accessories (order separately)

- Mounting Bracket
- MTH

Photometrics

SC Across Definitions:

- Focus (SC < 0.9), i.e. F1X12
- Task (0.9 ≤ SC < 1.2), i.e. T1X12
- Normal (1.2 ≤ SC ≤ 1.4), i.e. N1X12, N1D20
- Spread (1.4 < SC ≤ 1.8), i.e. S1X12
- Broad (1.8 < SC), i.e. B1X12



FSW4 2 32 B1X12
Test #47943_S
Fixture Efficiency: 81.4%
SC Across: 1.9, SC Along: 1.3